

MODAL



LEGEND	
N1	THE WHEEL SPEED SENSORS WILL BE FITTED TO ONE AXLE ONLY.
N2	SOME MODULATORS HAVE THE CABLE AS A FLYING LEAD i.e. THERE IS NO IN LINE CONNECTOR FITTED.
N3	ALL WIRES ARE 1.5mm ² UNLESS SPECIFIED.
N4	DIAGNOSTIC WIRING INSTALLED BY HALDEX OMITTED FOR CLARITY.
N5	SENSOR CABLES TO GO TO THE LEFT AND RIGHT HAND WHEELS OF THE SENSED AXLE. LEFT AND RIGHT HAND IS AS IF SAT IN THE DRIVER'S SEAT FACING FORWARD
N6	THE MAXIMUM CABLE LENGTH BETWEEN ISO1185 CONNECTORS AND THE FRONT JUNCTION BOX IS 1METRE.
N7	ALL CABLES EXCEPT MODULATOR AND SENSOR CABLES ARE TO BE ENCLOSED IN CONDUIT.
N8	SENSOR CONNECTOR.
N9	FOR SEMI-TRAILER CONFIGURATION SEE SECTION 8.

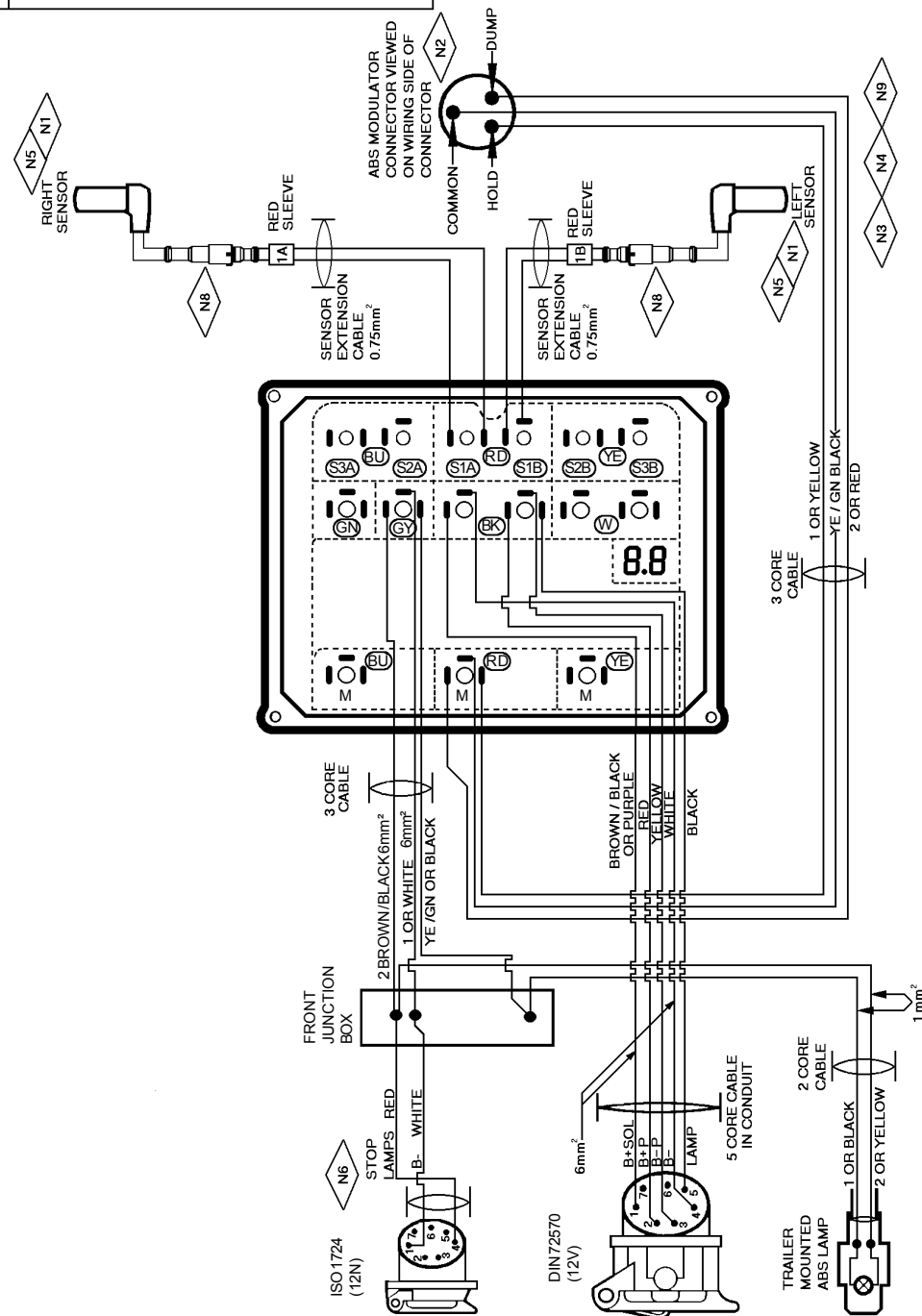


Fig 11.11 MODAL SEMI TRAILER WIRING DIAGRAM 2S/1M (12V SYSTEM)